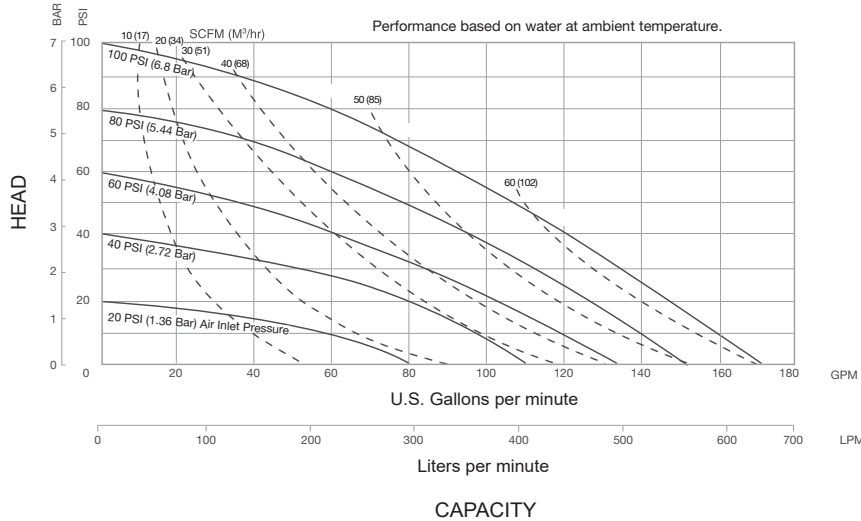




SPECIFICATIONS & PERFORMANCE

2" (50 mm) Solids Handling Plastic Flap Pump with Plastic Center Sections

PERFORMANCE



SPECIFICATIONS

Flow Rate

Adjustable to . . . 0-170 gpm (644 lpm)

Port Size - Suction / Discharge

. 2" ANSI 150 Class (DIN 50)

. 2" NPT (F)

. 2" BSPT (F)

Air Inlet 3/4" NPT

Max Solid Size (Diameter)

. 1.8" (46 mm)

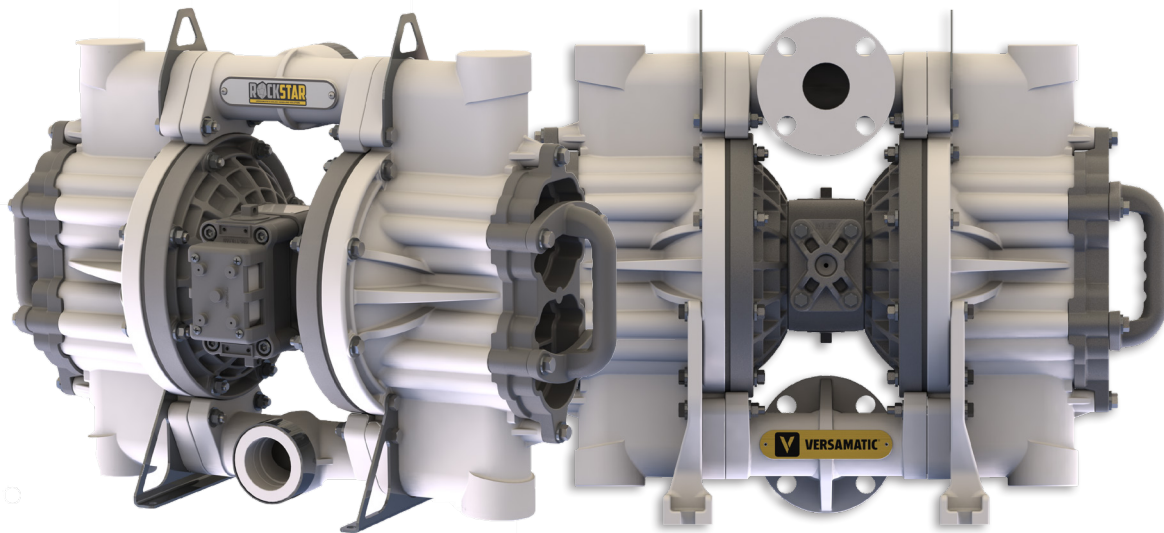
Weights

Pump: Polypropylene . 58 lbs. (27 kg)

Shipping: Polypropylene 70 lbs. (31 kg)

NOTE: Performance based on the following: elastomeric fitted pump, flooded suction, water at ambient conditions. The use of other materials and varying hydraulic conditions may result in deviations in excess of 5%.

DIMENSIONS



VERSAMATIC®

Warren Rupp, Inc. | A Unit of IDEX Corporation
800 North Main Street | Mansfield, OH 44902 USA
Phone: 419.526.7296 | Fax: 419.526.7289

VERSAMATIC.COM

Rockstar_Datasheet-rev0822

©Copyright 2022 Warren Rupp, Inc. All Rights Reserved.



SPECIFICATIONS & PERFORMANCE

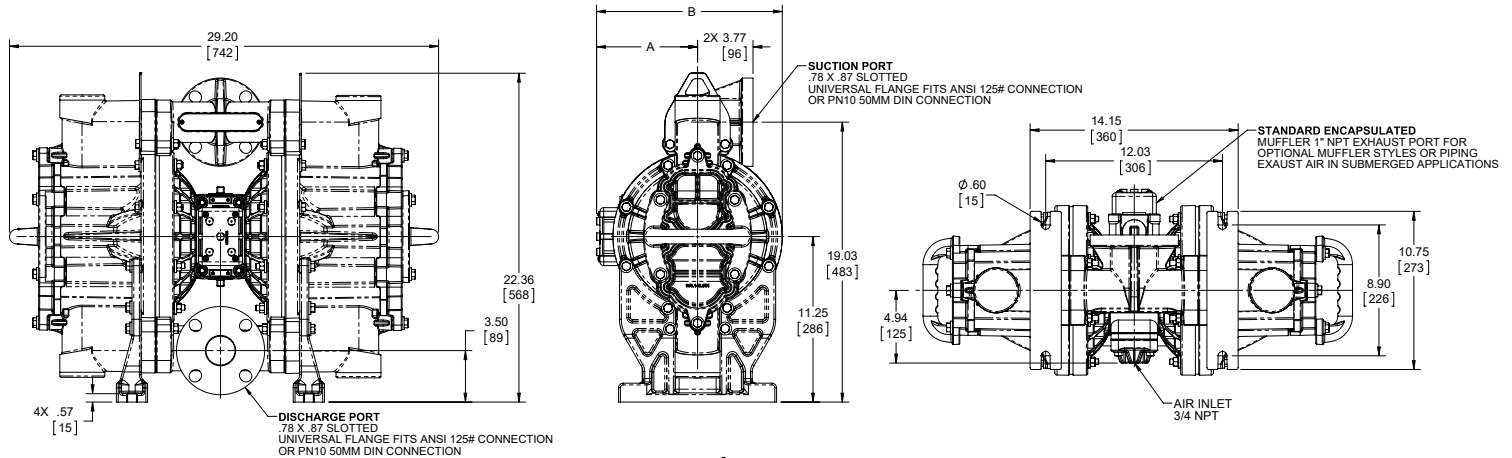
2" (50 mm) Solids Handling Plastic Flap Pump with Plastic Center Sections

DIMENSIONS

VMB20 Plastic Bolted Flap - Flanged Manifold

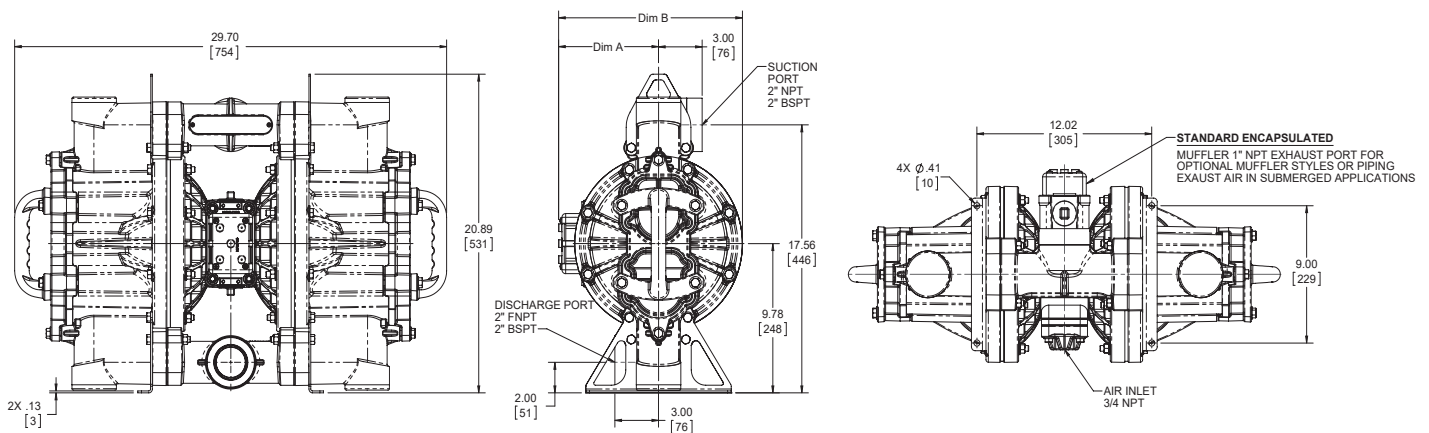
Dimensions in inches (metric dimensions in brackets)

The dimensions on this drawing are for reference only. A certified drawing can be requested if physical dimensions are needed.



VMB20 Plastic Bolted Flap Non-Metallic

Dimensions in Inches [] in Millimeters. Dimensional tolerance: +/- 1/8" [] +/- 3mm



VERSAMATIC®

Warren Rupp, Inc. | A Unit of IDEX Corporation
800 North Main Street | Mansfield, OH 44902 USA
Phone: 419.526.7296 | Fax: 419.526.7289

VERSAMATIC.COM

Rockstar_Datasheet-rev0822

©Copyright 2022 Warren Rupp, Inc. All Rights Reserved.