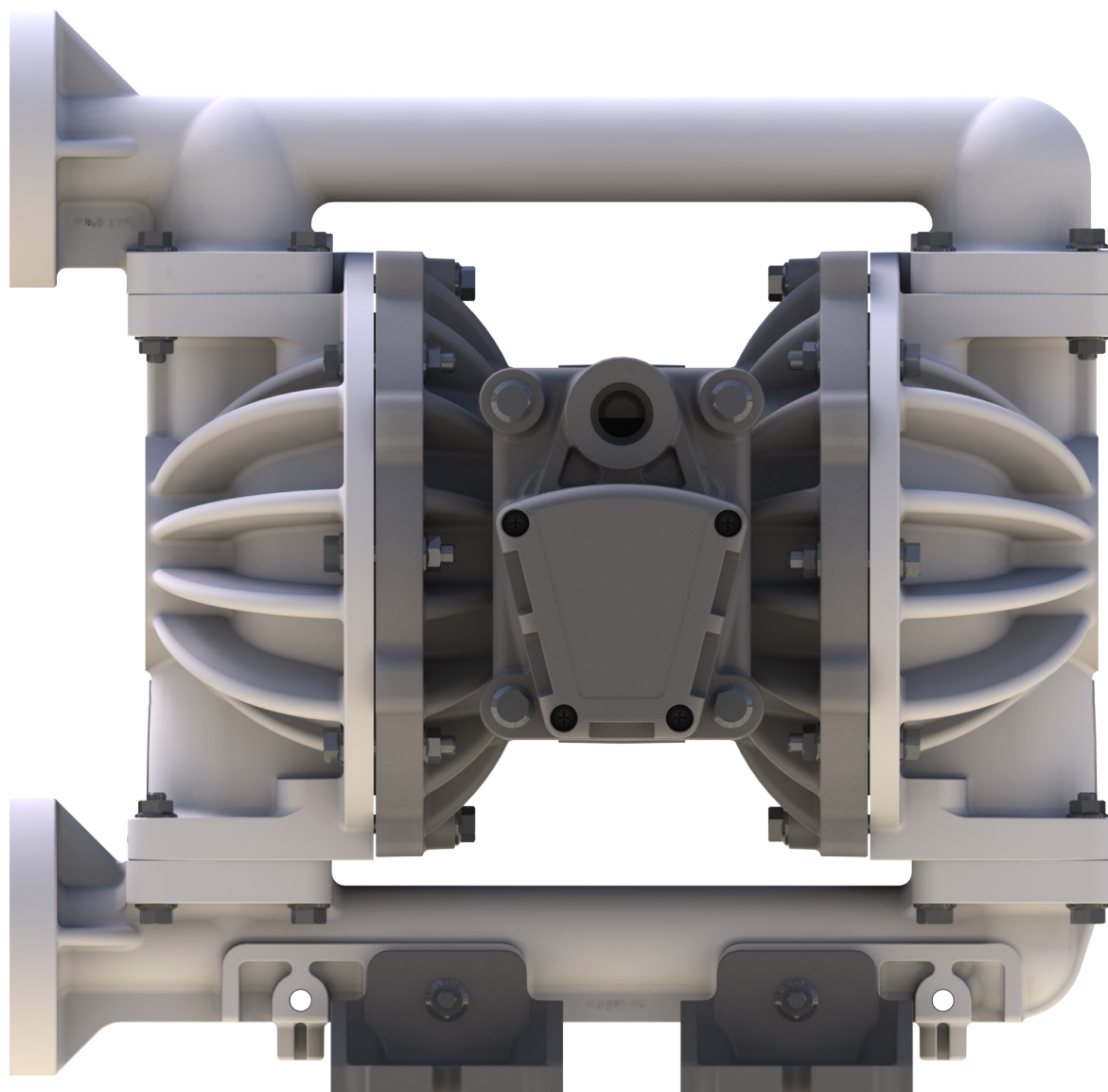


VALOR

1" PLASTIC BOLTED



VERSAMATIC[®]
PUMPING MADE EASY

VERSAMATIC.COM

OVERVIEW

Class Leading Flow Rates – 63 GPM (238 lpm)

Plastic corrosion resistant Wet Side and Air Side

Low weight for ease of mobility (25lbs for Polypropylene model)

Bolted Construction capable of 125 psi (8.6 Bar)

New Nomenclature: VALOR 1” models begin with “VMV10B”



FEATURES:

Ease of Maintenance:

- Simple external access to air / pilot valve
- Extended life air valve seals
- Common wet side bolt size
- Easy install neutral plane

Installation Flexibility:

- Multiple porting options
- Interchangeable / Adjustable foot positions

Wetted Material Range:

- Polypropylene
- PVDF
- Conductive Polypropylene (ATEX)

KEY APPLICATIONS:

- Fluid Transfer
- Chemical processing

ADVANTAGES:

- High chemical resistance
- Diverse material offering
- Class leading air efficiency
- Excellent dry suction lift 19’ (5.8 m)
- Premium solids passage up to 0.25” (6 mm)
- Non-freezing, Non-stalling, On / Off reliability

PERFORMANCE:

Flow Rate

Adjustable to 0-63 gpm (238 lpm)

Port Size - Suction / Discharge

. 1” ANSI/DIN Flange

Max Solid Size (Diameter)

. 0.25” (6 mm)

Air Inlet 3/4” NPT

Air Exhaust 1” NPT

Suction Lift 19’(5.8 m) Dry

. 31’ (9.5 m) Wet

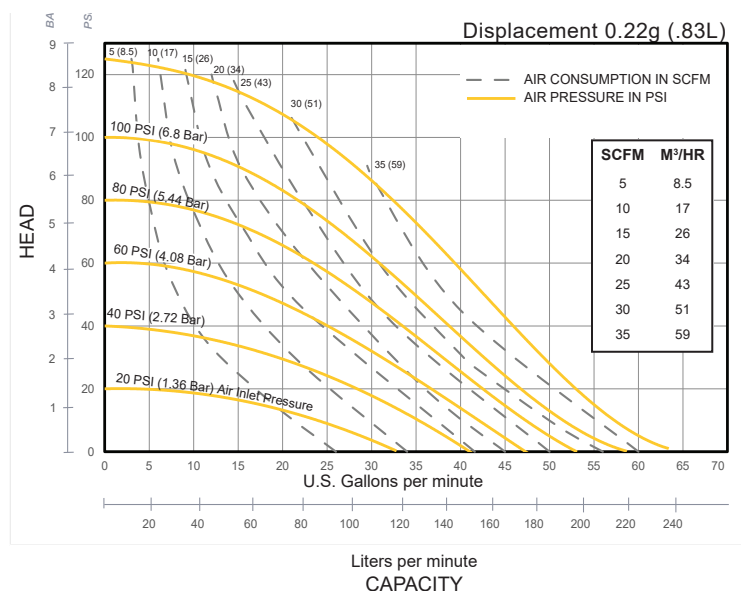
Weights

. Polypropylene 25 lbs. (11.3 kg)

. PVDF 42 lbs. (19 kg)

Conductive Poly (ATEX) 28lbs (12.7 kg)

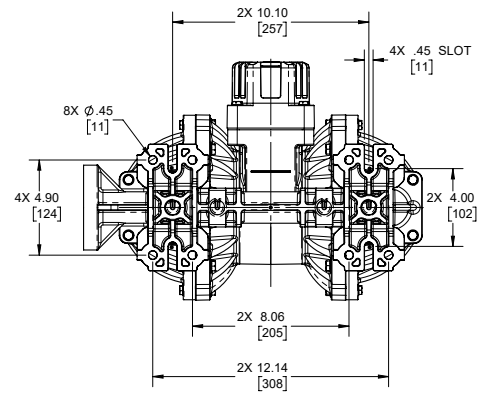
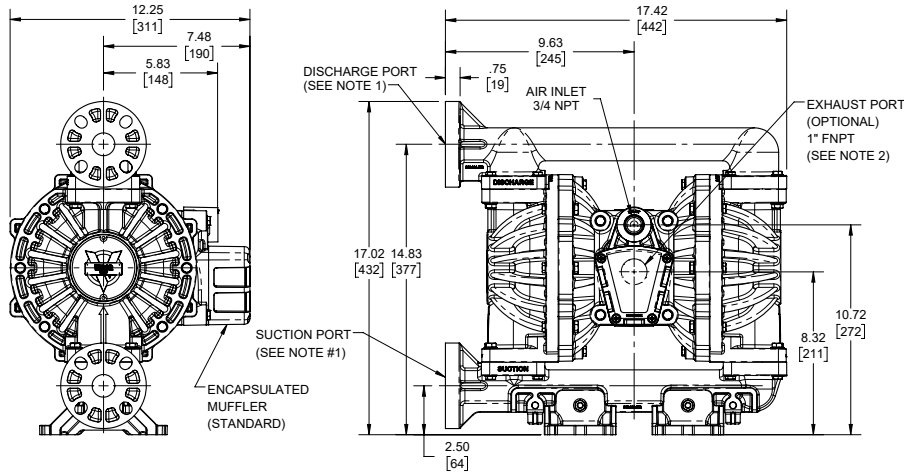
VALOR CURVE



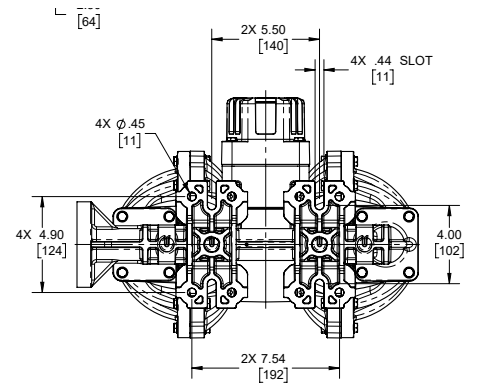
DIMENSIONS

Valor End Ported Option- Polypropylene and PVDF Wet Side

Dimensions in inches (metric dimensions in brackets). Dimensional Tolerance .125" (3mm).

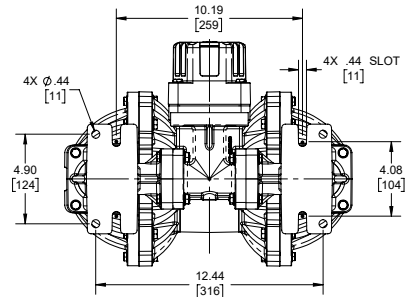
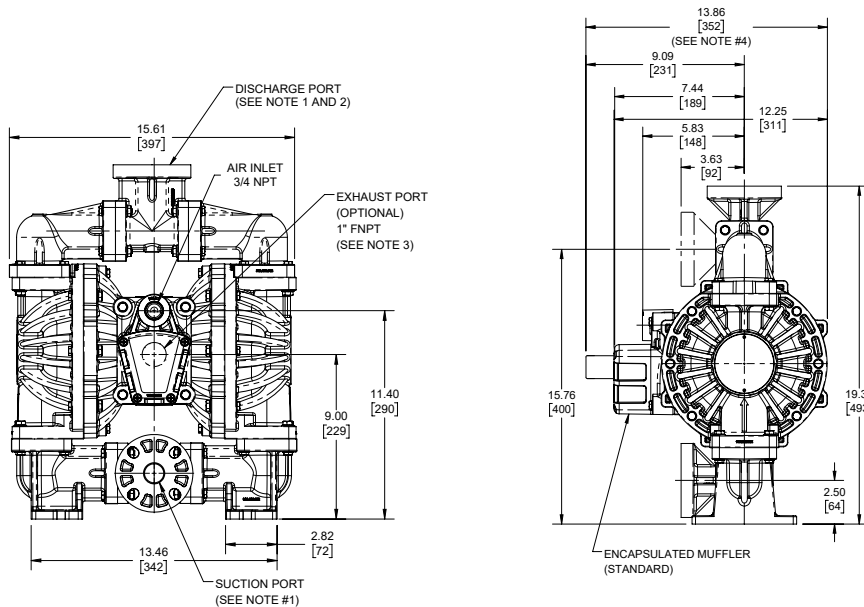


Alternate foot position



Valor Plastic Bolted Center Ported Options-Polypropylene, PVDF, and ATEX Conductive Polypropylene Wet Side

Dimensions in inches (metric dimensions in brackets). Dimensional Tolerance .125" (3mm).



Warren Rupp, Inc. | A Unit of IDEX Corporation
800 North Main Street | Mansfield, OH 44902 USA
Phone: 419.526.7296 | Fax: 419.526.7289

VERSAMATIC.COM



Scan to learn more

Visit www.versamatic.com and click on "Find a distributor" to contact your local distributor to place your order



VM_Valor_Rev0523

©Copyright 2023 Warren Rupp, Inc. All Rights Reserved.